

Arming Adjuster Set-up Instruction

“Arming Adjuster” is a device to stabilize your floating tremolo bridge in tune when you bend up the strings or broke a string. And, same time it allows you to “pull-up” the tremolo to bend up. The best solution to get out from all the headaches on floating tremolo bridges.

1. Set the bridge floating in parallel with body.
(if your guitar has 3 tremolo springs, take out the spring on center to make a space to install Arming Adjuster.)
2. Put Arming Adjuster at the place showed on Fig.A1.
Stick the small cushion on the block to avoid touching noise.
Make sure top round part is touching to the tremolo block, then fix the Arming Adjuster in place with screws.
3. Tighten the 2 screws on spring hanger all the way, then tune the guitar.
If there is a gap between the floating Adjusting Nut(B) and the Arming Adjuster body, tighten the Counter Spring Adjusting Nut(A) till the Floating Adjusting Nut touches to the body.
4. Check if the bridge stays floating in parallel with the body.
If not, adjust it by turning the Floating Adjusting Nut(B).
Check the tuning after this adjustment.
5. After the set-up, bend up the string to check if the bridge stays sitting or it's pulled up.
If the bridge is pulled up, you need to add spring like Fig.A2 and re-do all the set-up process again.

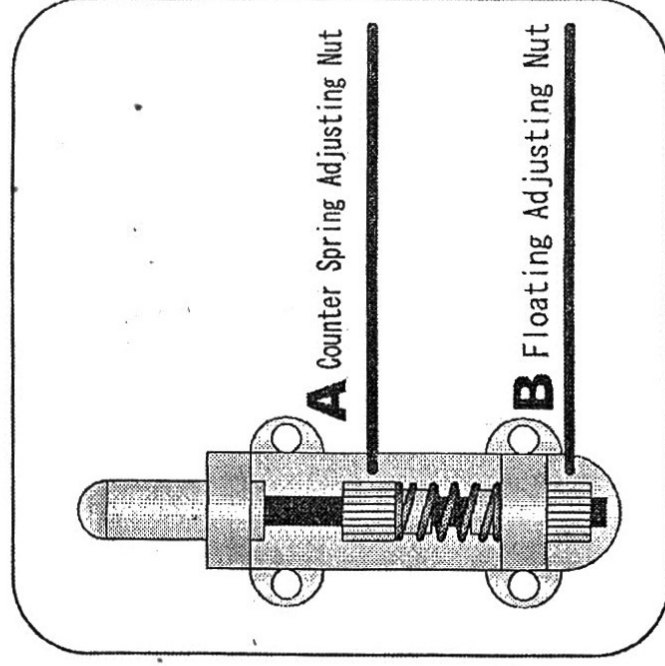


Fig. B

